

HEAVY DUTY KEY SWITCH

Large Format Inter-changeable Core Cylinder



CATALOG
V-003



HEAVY DUTY KEY SWITCH

Large Format Inter-changeable Core Cylinder

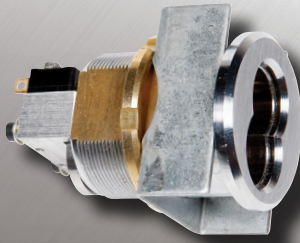


CATALOG

V-003



ICME05A1



SWITCH TYPE
SPDT
(Single pole – Double Throw)

SWITCH ACTION
Momentary
on-on

KEY ROTATION
30°
Clockwise-on

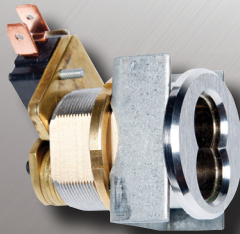
CONTACT RATING
10A 125vac, 10A 250vac
Resistive

FINISHES
BHMA
626, 613 & 606

PANEL MOUNT PREPARATION
Large Cam Lock Style
1-5/32" dia by .950" (flat width) Double "D" Design



ICME05B1



SWITCH TYPE
B1-SPDT
(Single pole – Double Throw)

SWITCH ACTION
Momentary
on-on

KEY ROTATION
45°
Clockwise-on

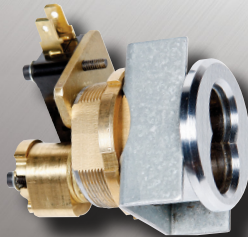
CONTACT RATING
15A 125vac, 15A 250vac
Resistive

FINISHES
BHMA
626, 613 & 606

PANEL MOUNT PREPARATION
Large Cam Lock Style
1-5/32" dia by .950" (flat width) Double "D" Design



ICME05B2



SWITCH TYPE
B2-SPDT
(Single pole – Double Throw)

SWITCH ACTION
Maintained
on-on

KEY ROTATION
360°
Clockwise-on

CONTACT RATING
15A 125vac, 15A 250vac
Resistive

FINISHES
BHMA
626, 613 & 606

PANEL MOUNT PREPARATION
Large Cam Lock Style
1-5/32" dia by .950" (flat width) Double "D" Design



ICME05D2



SWITCH TYPE
DPST
(Double pole – Single Throw)

SWITCH ACTION
Maintained
on-off

KEY ROTATION
25° Clockwise-on,
25° Counter Clockwise-off

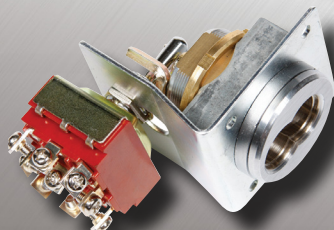
CONTACT RATING
15A 125vac, 15A 250vac, DC30v 15A
Resistive

FINISHES
BHMA
626, 613 & 606

PANEL MOUNT PREPARATION
Large Cam Lock Style
1-5/32" dia by .950" (flat width) Double "D" Design



ICME05E2



SWITCH TYPE
TPDT
(Triple pole – Double Throw)

SWITCH ACTION
Maintained
on-center off-on

KEY ROTATION
30° Clockwise-on,
30° Counter Clockwise-on

CONTACT RATING
25A 125vac, 9A 250vac, 20A 30vdc
Resistive

FINISHES
BHMA
626, 613 & 606

PANEL MOUNT PREPARATION
Large Cam Lock Style
1-5/32" dia by .950" (flat width) Double "D" Design

HEAVY DUTY KEY SWITCH



Large Format Inter-changeable Core Cylinder


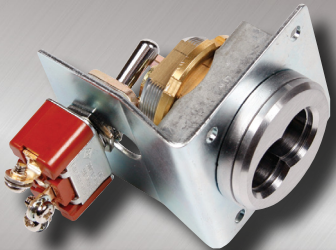



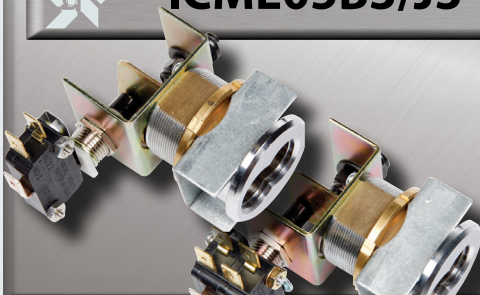
CATALOG


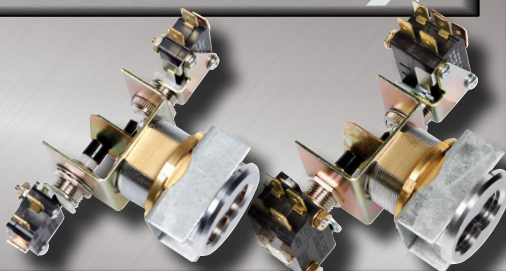
V-003



 <h3>ICME05K4</h3> 	SWITCH TYPE DPDT (Double pole – Double Throw)	SWITCH ACTION Momentary on-center off-on	KEY ROTATION 24° Clockwise-on, 24° Counter Clockwise-on
	CONTACT RATING 15A 125vac, 15A 250vac Resistive, Motor Load 400w 125vac		FINISHES BHMA 626, 613 & 606
	PANEL MOUNT PREPARATION Large Cam Lock Style 1-5/32"dia by .950" (flat width) Double "D" Design		

SWITCH TYPE SPDT (Single pole – Double Throw)	SWITCH ACTION Maintained on-on	KEY ROTATION 32° Clockwise-on, 32° Counter Clockwise-on	<h3>ICME05L2</h3>  
CONTACT RATING 15A 125vac, 6A 250vac, 20A 30vdc Resistive		FINISHES BHMA 626, 613 & 606	
PANEL MOUNT PREPARATION Large Cam Lock Style 1-5/32"dia by .950" (flat width) Double "D" Design			

 <h3>ICME05B3/J3</h3> 	SWITCH TYPE B3-SPDT (Single pole – Double Throw)	SWITCH ACTION Momentary on-on	KEY ROTATION 30° Clockwise-on
	CONTACT RATING 10A 125vac, 10A 250vac Resistive		FINISHES BHMA 626, 613 & 606
	PANEL MOUNT PREPARATION Large Cam Lock Style 1-5/32"dia by .950" (flat width) Double "D" Design MODEL: J-3 (2) SPDT Switches (Single Pole – Double Pole)		

SWITCH TYPE P2-(4) SPDT (Single pole – Double Throw)	SWITCH ACTION Momentary on-on	KEY ROTATION 30° Clockwise-on, 30° Counter Clockwise-on	<h3>ICME05P2/R4</h3>  
CONTACT RATING 15A 125vac, 15A 250vac Resistive		FINISHES BHMA 626, 613 & 606	
PANEL MOUNT PREPARATION Large Cam Lock Style 1 5/32"dia by .950" (flat width) Double "D" Design MODEL: R-4 (4) SPDT Switches (Single Pole – Double Pole)			

OPTIONS:

FACEPLATES



**Narrow
Faceplate**
option **0**

(for models A1, B1, B2, B3, D2, E2, J3, K4, L2, only)



**Single Gang
Faceplate**
option **1**



Double Gang Faceplate
with single switch
option **2**

(for models A1, B1, B2, B3, D2, E2, J3, K4, L2, only)



Double Gang Faceplate
with double switch
option **3**

(for models A1, B1, B2, B3, J3 only)

FINISHES

Satin Chrome
BHMA 626
option **S**

Oiled Rubbed Bronze
BHMA 613
option **D**

Satin Brass
BHMA 606
option **B**

FINISHES

RED (1)
12/24 volt, mounted
option **R**

GREEN (1)
12/24 volt, mounted
option **G**

RED (1) & GREEN (1)
12/24 volt, mounted
option **T**

SWITCH ACTION & FUNCTION

MODEL	SPDT 10 AMP ON-ON	SPDT 15 AMP ON-ON	DPDT 15 AMP ON-ON	DPST 15 AMP ON-OFF	3PDT 15 AMP ON-OFF-ON	DPDT 15 AMP ON-OFF-ON	SPDT 15 AMP ON-OFF-ON
ICME05A1	MONENTARY DETENT ACTION 30 DEGREE RIGHT ROTATION						
ICME05B1	MONENTARY DETENT ACTION 45 DEGREE RIGHT ROTATION						
ICME05B2	MAINTAINED 360 DEGREE RIGHT ROTATION						
ICME05B3	MONENTARY SPRING ACTION 30 DEGREE RIGHT ROTATION						
ICME05J3	MONENTARY SPRING ACTION 30 DEGREE RIGHT ROTATION						
ICME05D2	MAINTAINED RIGHT / LEFT TOGGLE ACTION						
ICME05E2	MONENTARY RIGHT / CTR / LEFT TOGGLE ACTION						
ICME05K4	MONENTARY RIGHT / CTR / LEFT TOGGLE ACTION						
ICME05L2	MAINTAINED RIGHT / LEFT TOGGLE ACTION						
ICME05P2	MONENTARY SPRING ACTION 30 DEGREE RIGHT / CTR / LEFT ROTATION						
ICME05R4	MONENTARY SPRING ACTION 30 DEGREE RIGHT / CTR / LEFT ROTATION						

FACEPLATE Switch & Configuration

MODEL	SINGLE SWITCH	SINGLE SWITCH	SINGLE SWITCH DOUBLE GANG SWITCH PLATE	DOUBLE SWITCH DOUBLE GANG SWITCH PLATE
	NARROW SWITCH PLATE	SINGLE GANG SWITCH PLATE		
ICME05A1	X	X	X	X
ICME05B1	X	X	X	X
ICME05B2	X	X	X	X
ICME05B3	X	X	X	X
ICME05J3	X	X	X	X
ICME05D2		X	X	
ICME05E2		X	X	
ICME05K4		X	X	
ICME05L2		X	X	
ICME05P2			PANEL ONLY	
ICME05R4			PANEL ONLY	

